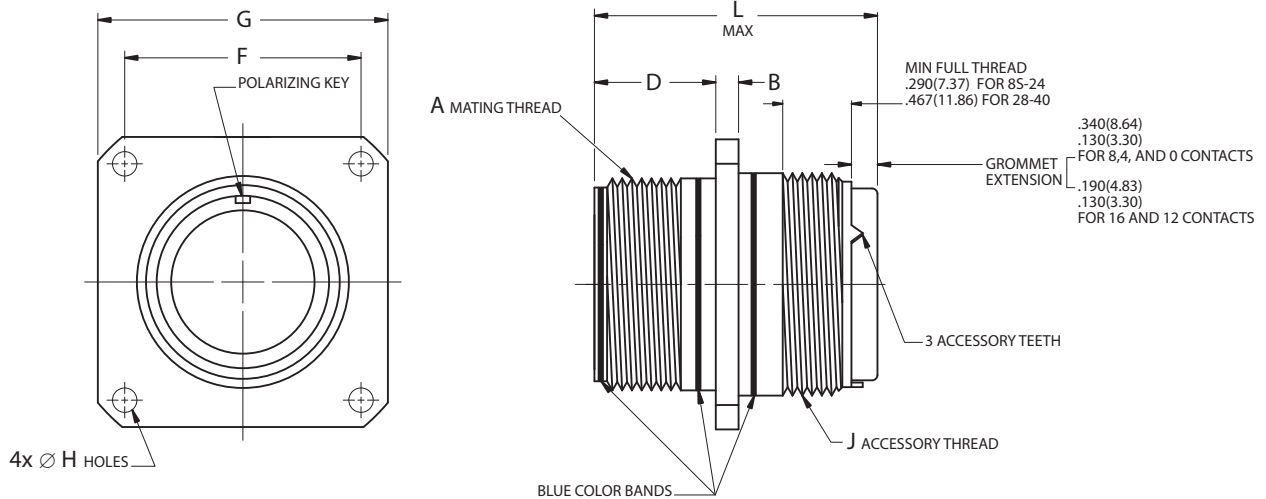


# MS3450 Wall Mount Receptacle



## Threaded Coupling, Crimp Removable, Rear Release

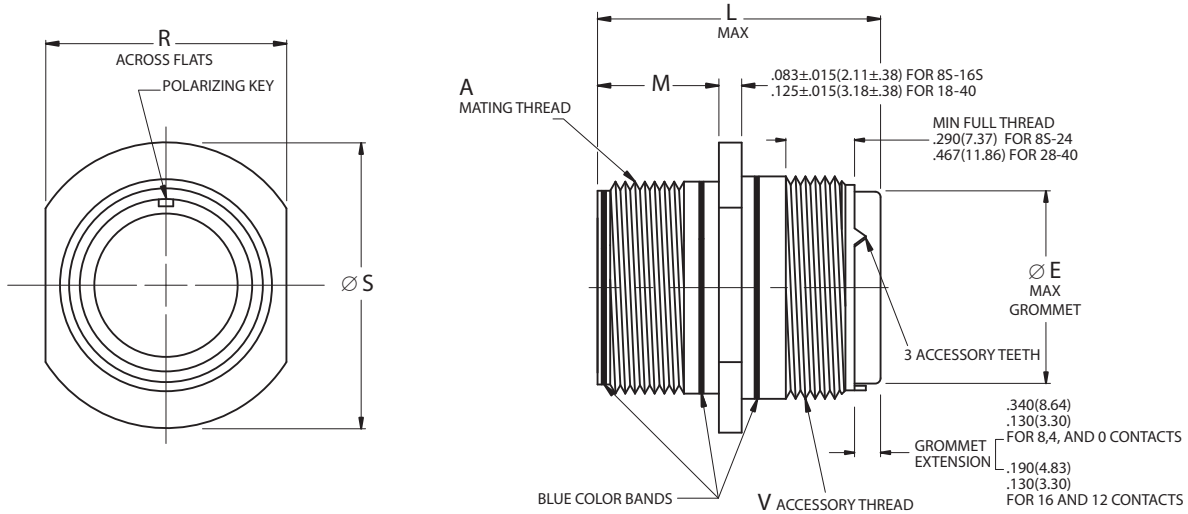


Shell Size	A	B		D		F		G		Ø H				J
	Mating Thread Class 2A	±.015	±.38	+.031	+.79			±.031	±.79	Classes L, LS, W	Classes KS, KT		Accessory Thread Class 2A	
		inch	mm	inch	mm	inch	mm	inch	mm	inch	mm	inch	mm	
8S	1/2-28 UNEF	.083	2.11	.562	14.27	.594	15.09	.875	22.23	.120	3.05	.150	3.81	1/2-20UNF
10S	5/8-24 UNEF	.083	2.11	.562	14.27	.719	18.26	1.000	25.40	.120	3.05	.150	3.81	5/8-24UNEF
10SL	5/8-24 UNEF	.083	2.11	.562	14.27	.719	18.26	1.000	25.40	.120	3.05	.150	3.81	5/8-24UNEF
12	3/4-20 UNEF	.083	2.11	.750	19.05	.812	20.62	1.094	27.79	.120	3.05	.150	3.81	3/4-20UNEF
12S	3/4-20 UNEF	.083	2.11	.562	14.27	.812	20.62	1.094	27.79	.120	3.05	.150	3.81	3/4-20UNEF
14	7/8-20 UNEF	.083	2.11	.750	19.05	.906	23.01	1.188	30.18	.120	3.05	.150	3.81	7/8-20UNEF
14S	7/8-20 UNEF	.083	2.11	.562	14.27	.906	23.01	1.188	30.18	.120	3.05	.150	3.81	7/8-20UNEF
16	1-20 UNEF	.083	2.11	.750	19.05	.969	24.61	1.281	32.54	.120	3.05	.150	3.81	1-20UNEF
16S	1-20 UNEF	.083	2.11	.562	14.27	.969	24.61	1.281	32.54	.120	3.05	.150	3.81	1-20UNEF
18	1 1/8-18 UNEF	.125	3.18	.750	19.05	1.062	26.97	1.375	34.93	.120	3.05	.177	4.50	1-1/16-18UNEF
20	1 1/4-18 UNEF	.125	3.18	.750	19.05	1.156	29.36	1.500	38.10	.120	3.05	.177	4.50	1-3/16-18UNEF
22	1 3/8-18 UNEF	.125	3.18	.750	19.05	1.250	31.75	1.625	41.28	.120	3.05	.177	4.50	1-5/16-18UNEF
24	1 1/2-18 UNEF	.125	3.18	.812	20.62	1.375	34.93	1.750	44.45	.147	3.73	.177	4.50	1-7/16-18UNEF
28	1 3/4-18 UNS	.125	3.18	.812	20.62	1.562	39.67	2.000	50.80	.147	3.73	.177	4.50	1-3/4-18UNS
32	2-18 UNS	.125	3.18	.875	22.23	1.750	44.45	2.250	57.15	.173	4.39	.209	5.31	2-18UNS
36	2 1/4-16 UN	.125	3.18	.875	22.23	1.938	49.23	2.500	63.50	.173	4.39	.209	5.31	2-1/4-16UN
40	2 1/2-16 UN	.125	3.18	.875	22.23	2.188	55.58	2.750	69.85	.173	4.39	.209	5.31	2-1/2-16UN

# MS3451 Cable Connecting Receptacle



## Threaded Coupling, Crimp Removable, Rear Release

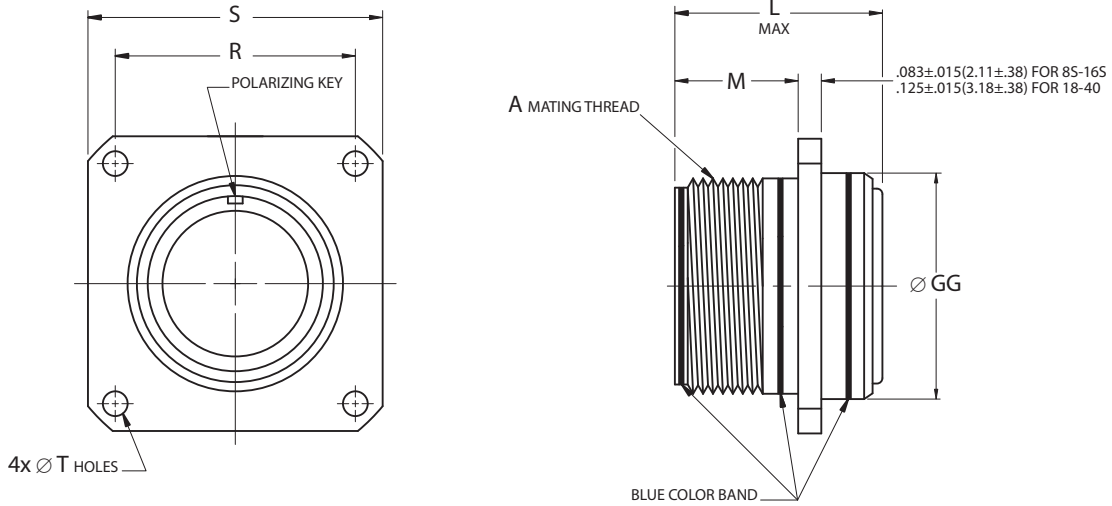


Shell Size	A	Ø E		L MAX				M		R		Ø S		V
	Mating Thread Class 2A	Maximum		16 & 12 Contacts		8, 4 & 0 Contacts		+.031 -.000				±.031 ±.79		Accessory Thread Class 2A
		inch	mm	inch	mm	inch	mm	inch	mm	inch	mm	inch	mm	
8S	1/2-28 UNEF	.305	7.75	2.031	51.59	-	-	.562	14.27	.504/.496	12.80/12.60	.729	18.52	1/2-20UNF
10S	5/8-24 UNEF	.405	10.29	2.031	51.59	-	-	.562	14.27	.629/.621	15.98/15.77	.854	21.69	5/8-24UNEF
10SL	5/8-24 UNEF	.405	10.29	2.031	51.59	-	-	.562	14.27	.629/.621	15.98/15.77	.854	21.69	5/8-24UNEF
12	3/4-20 UNEF	.549	13.94	2.125	53.98	-	-	.750	19.05	.754/.746	19.15/18.95	.974	24.74	3/4-20UNEF
12S	3/4-20 UNEF	.549	13.94	2.031	51.59	-	-	.562	14.27	.754/.746	19.15/18.95	.974	24.74	3/4-20UNEF
14	7/8-20 UNEF	.665	16.89	2.125	53.98	-	-	.750	19.05	.879/.871	22.33/22.12	1.099	27.91	7/8-20UNEF
14S	7/8-20 UNEF	.665	16.89	2.031	51.59	-	-	.562	14.27	.879/.871	22.33/22.12	1.099	27.91	7/8-20UNEF
16	1-20 UNEF	.790	20.07	2.125	53.98	2.500	63.50	.750	19.05	1.005/.996	25.53/25.30	1.224	31.09	1-20UNEF
16S	1-20 UNEF	.790	20.07	2.031	51.59	-	-	.562	14.27	1.005/.996	25.53/25.30	1.224	31.09	1-20UNEF
18	1 1/8-18 UNEF	.869	22.07	2.125	53.98	2.500	63.50	.750	19.05	1.131/1.121	28.73/28.47	1.349	34.26	1-1/16-18UNEF
20	1 1/4-18 UNEF	.994	25.25	2.125	53.98	2.500	63.50	.750	19.05	1.256/1.246	31.90/31.65	1.474	37.44	1-3/16-18UNEF
22	1 3/8-18 UNEF	1.119	28.42	2.125	53.98	2.500	63.50	.750	19.05	1.381/1.371	35.08/34.82	1.599	40.61	1-5/16-18UNEF
24	1 1/2-18 UNEF	1.244	31.60	2.125	53.98	2.500	63.50	.812	20.62	1.506/1.496	38.25/38.00	1.715	43.56	1-7/16-18UNEF
28	1 3/4-18 UNS	1.465	37.21	2.125	53.98	2.500	63.50	.812	20.62	1.756/1.746	44.60/44.35	1.974	50.14	1-3/4-18UNS
32	2-18 UNS	1.715	43.56	2.125	53.98	2.500	63.50	.875	22.23	2.007/1.996	50.98/50.70	2.224	56.49	2-18UNS
36	2 1/4-16 UN	1.930	49.02	2.125	53.98	2.500	63.50	.875	22.23	2.257/2.246	57.33/57.05	2.474	62.84	2-1/4-16UN
40	2 1/2-16 UN	2.145	54.48	2.125	53.98	2.500	63.50	.875	22.23	2.511/2.496	63.78/63.40	2.724	69.19	2-1/2-16UN

# MS3452 Box Mount Receptacle



## Threaded Coupling, Crimp Removable, Rear Release

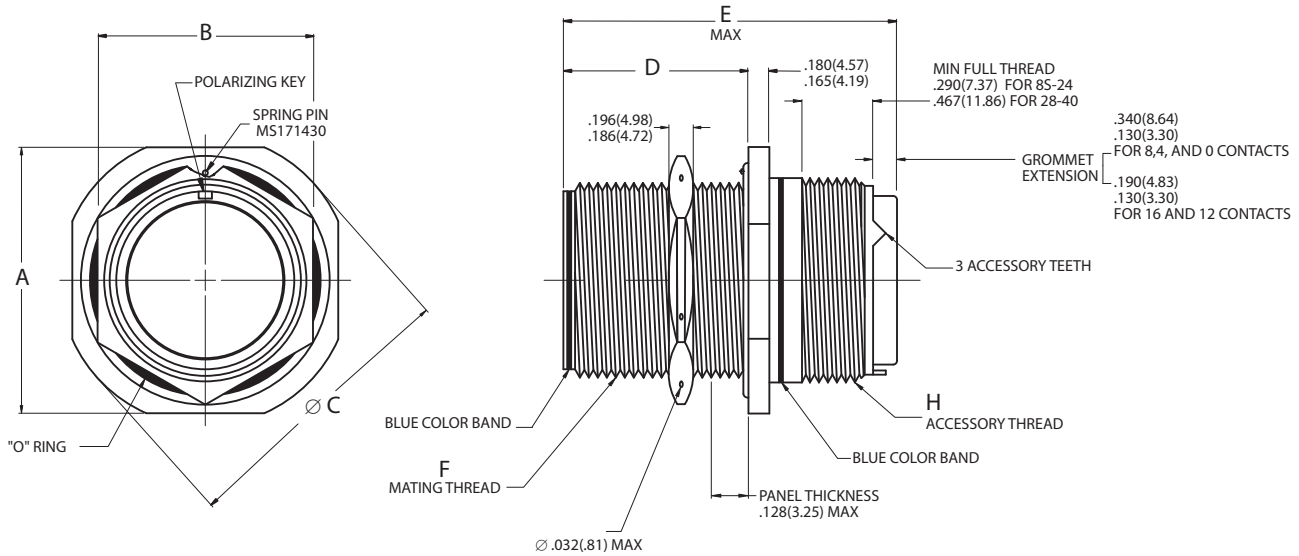


Shell Size	A	Ø GG		L MAX				M		R		S		Ø T	
	Mating Thread Class 2A	±.016 inch	±.41 mm	16 & 12 Contacts		8, 4 & 0 Contacts		+0.031 -0.000 inch	+.79 -.00 mm	(TP)		±.031 inch	±.79 mm	+0.010 -0.005 inch	+.25 -.13 mm
				inch	mm	inch	mm	inch	mm	inch	mm	inch	mm	inch	mm
8S	1/2-28 UNEF	.500	12.70	1.662	42.21	-	-	.562	14.27	.594	15.09	.875	22.23	.120	3.05
10S	5/8-24 UNEF	.625	15.88	1.662	42.21	-	-	.562	14.27	.719	18.26	1.000	25.40	.120	3.05
10SL	5/8-24 UNEF	.625	15.88	1.662	42.21	-	-	.562	14.27	.719	18.26	1.000	25.40	.120	3.05
12	3/4-20 UNEF	.750	19.05	1.662	42.21	-	-	.750	19.05	.812	20.62	1.094	27.79	.120	3.05
12S	3/4-20 UNEF	.750	19.05	1.662	42.21	-	-	.562	14.27	.812	20.62	1.094	27.79	.120	3.05
14	7/8-20 UNEF	.875	22.23	1.662	42.21	-	-	.750	19.05	.906	23.01	1.188	30.18	.120	3.05
14S	7/8-20 UNEF	.875	22.23	1.662	42.21	-	-	.562	14.27	.906	23.01	1.188	30.18	.120	3.05
16	1-20 UNEF	1.000	25.40	1.662	42.21	1.937	49.20	.750	19.05	.969	24.61	1.281	32.54	.120	3.05
16S	1-20 UNEF	1.000	25.40	1.662	42.21	-	-	.562	14.27	.969	24.61	1.281	32.54	.120	3.05
18	1 1/8-18 UNEF	1.062	26.97	1.662	42.21	1.937	49.20	.750	19.05	1.062	26.97	1.375	34.93	.120	3.05
20	1 1/4-18 UNEF	1.187	30.15	1.662	42.21	1.937	49.20	.750	19.05	1.156	29.36	1.500	38.10	.120	3.05
22	1 3/8-18 UNEF	1.312	33.32	1.662	42.21	1.937	49.20	.750	19.05	1.250	31.75	1.625	41.28	.120	3.05
24	1 1/2-18 UNEF	1.437	36.50	1.662	42.21	1.937	49.20	.812	20.62	1.375	34.93	1.750	44.45	.147	3.73
28	1 3/4-18 UNS	1.750	44.45	1.662	42.21	1.937	49.20	.812	20.62	1.562	39.67	2.000	50.80	.147	3.73
32	2-18 UNS	2.000	50.80	1.662	42.21	1.937	49.20	.875	22.23	1.750	44.45	2.250	57.15	.173	4.39
36	2 1/4-16 UN	2.250	57.15	1.662	42.21	1.937	49.20	.875	22.23	1.938	49.23	2.500	63.50	.173	4.39
40	2 1/2-16 UN	2.500	63.50	1.662	42.21	1.937	49.20	.875	22.23	2.188	55.58	2.750	69.85	.173	4.39

**MS3454**  
**Jam Nut Receptacle**



**Threaded Coupling, Crimp Removable, Rear Release**

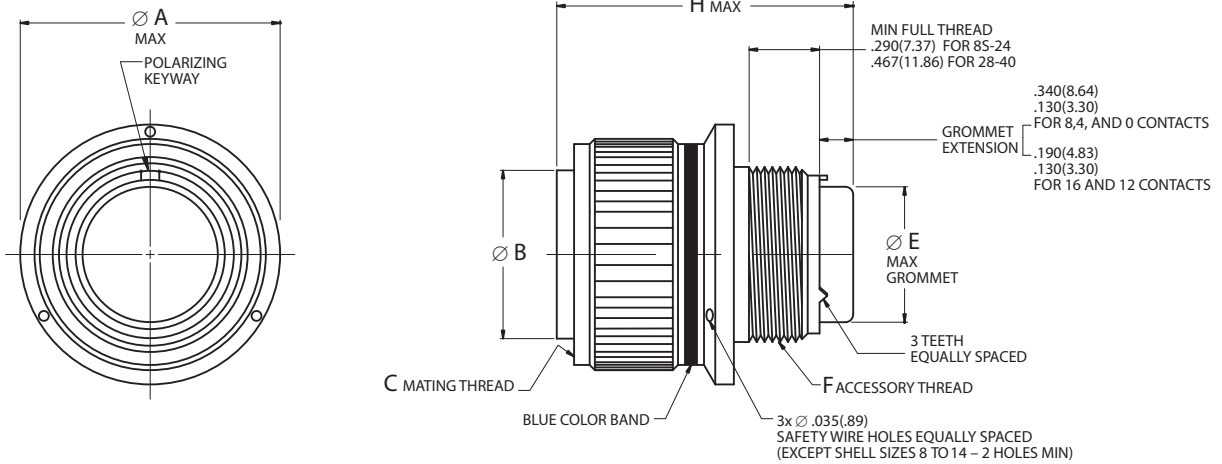


Shell Size	A		B		Ø C		D		E MAX		F		H	
	±.005	±.13	±.010	±.25	±.005	±.13	±.005	±.13	16 & 12 Contacts	8, 4 & 0 Contacts	Mating Thread Class 2A	Accessory Thread Class 2A		
	inch	mm	inch	mm	inch	mm	inch	mm	inch	mm				
8S	1.187	30.15	.687	17.45	1.272	32.31	.720	18.29	2.031	51.59	-	-	1/2-28 UNEF	1/2-20UNF
10S	1.312	33.32	.812	20.62	1.397	35.48	.720	18.29	2.031	51.59	-	-	5/8-24 UNEF	5/8-24UNEF
10SL	1.312	33.32	.812	20.62	1.397	35.48	.720	18.29	2.031	51.59	-	-	5/8-24 UNEF	5/8-24UNEF
12	1.437	36.50	.937	23.80	1.522	38.66	.970	24.64	2.125	53.98	-	-	3/4-20 UNEF	3/4-20UNEF
12S	1.437	36.50	.937	23.80	1.522	38.66	.720	18.29	2.031	51.59	-	-	3/4-20 UNEF	3/4-20UNEF
14	1.562	39.67	1.125	28.58	1.647	41.83	.970	24.64	2.125	53.98	-	-	7/8-20 UNEF	7/8-20UNEF
14S	1.562	39.67	1.125	28.58	1.647	41.83	.720	18.29	2.031	51.59	-	-	7/8-20 UNEF	7/8-20UNEF
16	1.687	42.85	1.250	31.75	1.772	45.01	.970	24.64	2.125	53.98	2.500	63.50	1-20 UNEF	1-20UNEF
16S	1.687	42.85	1.250	31.75	1.772	45.01	.720	18.29	2.031	51.59	-	-	1-20 UNEF	1-20UNEF
18	1.812	46.02	1.375	34.93	1.897	48.18	.970	24.64	2.125	53.98	2.500	63.50	1 1/8-18 UNEF	1-1/16-18UNEF
20	1.937	49.20	1.500	38.10	2.022	51.36	.970	24.64	2.125	53.98	2.500	63.50	1 1/4-18 UNEF	1-3/16-18UNEF
22	2.156	54.76	1.625	41.28	2.241	56.92	.970	24.64	2.125	53.98	2.500	63.50	1 3/8-18 UNEF	1-5/16-18UNEF
24	2.281	57.94	1.750	44.45	2.366	60.10	.970	24.64	2.125	53.98	2.500	63.50	1 1/2-18 UNEF	1-7/16-18UNEF
28	2.531	64.29	2.000	50.80	2.616	66.45	.970	24.64	2.125	53.98	2.500	63.50	1 3/4-18 UNS	1-3/4-18UNS
32	2.781	70.64	2.375	60.33	2.866	72.80	.970	24.64	2.125	53.98	2.500	63.50	2-18 UNS	2-18UNS
36	3.031	76.99	2.625	66.68	3.116	79.15	.970	24.64	2.125	53.98	2.500	63.50	2 1/4-16 UN	2-1/4-16UN
40	3.281	83.34	2.875	73.03	3.366	85.50	.970	24.64	2.125	53.98	2.500	63.50	2 1/2-16 UN	2-1/2-16UN

**MS3456**  
**Straight Plug**



Threaded Coupling, Crimp Removable, Rear Release



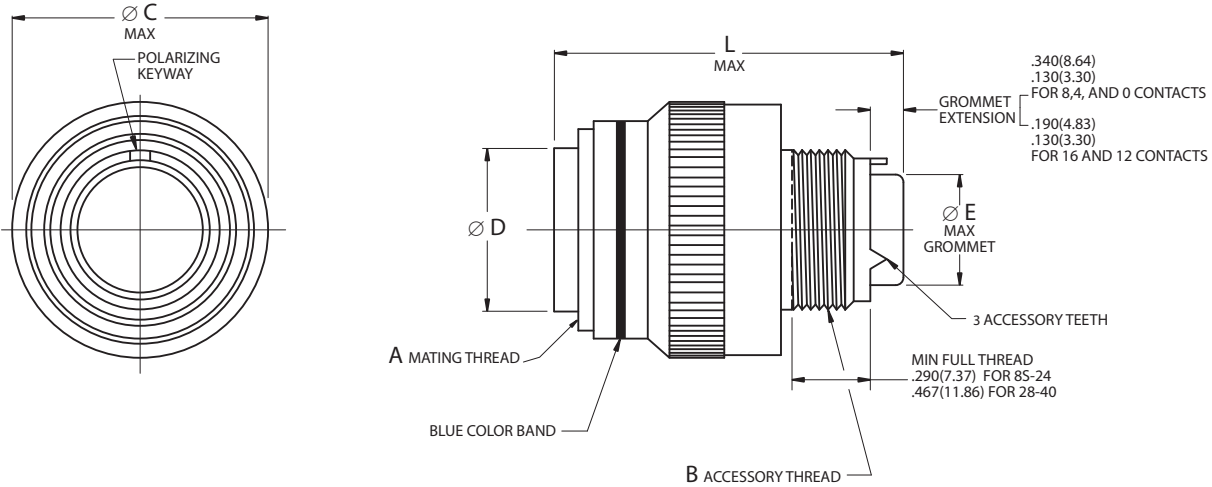
Shell Size	$\varnothing A$		$\varnothing B$		C	$\varnothing E$		F	H MAX			
	Maximum		$\pm .005$	$\pm .13$		Mating Thread Class 2B	Maximum		Accessory Thread Class 2A	16 & 12 Contacts		8, 4 & 0 Contacts
	inch	mm	inch	mm		inch	mm		inch	mm	inch	mm
8S	.844	<b>21.44</b>	.360	<b>9.14</b>	1/2-28 UNEF	.305	<b>7.75</b>	1/2-20UNF	2.031	<b>51.59</b>	-	-
10S	.969	<b>24.61</b>	.435	<b>11.05</b>	5/8-24 UNEF	.405	<b>10.29</b>	5/8-24UNEF	2.031	<b>51.59</b>	-	-
10SL	.969	<b>24.61</b>	.443*	<b>11.25*</b>	5/8-24 UNEF	.405	<b>10.29</b>	5/8-24UNEF	2.031	<b>51.59</b>	-	-
12	1.062	<b>26.97</b>	.550	<b>13.97</b>	3/4-20 UNEF	.549	<b>13.94</b>	3/4-20UNEF	2.125	<b>53.98</b>	-	-
12S	1.062	<b>26.97</b>	.550	<b>13.97</b>	3/4-20 UNEF	.549	<b>13.94</b>	3/4-20UNEF	2.031	<b>51.59</b>	-	-
14	1.156	<b>29.36</b>	.670	<b>17.02</b>	7/8-20 UNEF	.665	<b>16.89</b>	7/8-20UNEF	2.125	<b>53.98</b>	-	-
14S	1.156	<b>29.36</b>	.670	<b>17.02</b>	7/8-20 UNEF	.665	<b>16.89</b>	7/8-20UNEF	2.031	<b>51.59</b>	-	-
16	1.250	<b>31.75</b>	.800	<b>20.32</b>	1-20 UNEF	.790	<b>20.07</b>	1-20UNEF	2.125	<b>53.98</b>	2.500	<b>63.50</b>
16S	1.250	<b>31.75</b>	.800	<b>20.32</b>	1-20 UNEF	.790	<b>20.07</b>	1-20UNEF	2.031	<b>51.59</b>	-	-
18	1.344	<b>34.14</b>	.925	<b>23.50</b>	1 1/8-18 UNEF	.869	<b>22.07</b>	1-1/16-18UNEF	2.125	<b>53.98</b>	2.500	<b>63.50</b>
20	1.469	<b>37.31</b>	1.045	<b>26.54</b>	1 1/4-18 UNEF	.994	<b>25.25</b>	1-3/16-18UNEF	2.125	<b>53.98</b>	2.500	<b>63.50</b>
22	1.594	<b>40.49</b>	1.170	<b>29.72</b>	1 3/8-18 UNEF	1.119	<b>28.42</b>	1-5/16-18UNEF	2.125	<b>53.98</b>	2.500	<b>63.50</b>
24	1.719	<b>43.66</b>	1.295	<b>32.89</b>	1 1/2-18 UNEF	1.244	<b>31.60</b>	1-7/16-18UNEF	2.125	<b>53.98</b>	2.500	<b>63.50</b>
28	1.969	<b>50.01</b>	1.515	<b>38.48</b>	1 3/4-18 UNS	1.465	<b>37.21</b>	1-3/4-18UNS	2.125	<b>53.98</b>	2.500	<b>63.50</b>
32	2.219	<b>56.36</b>	1.765	<b>44.83</b>	2-18 UNS	1.715	<b>43.56</b>	2-18UNS	2.125	<b>53.98</b>	2.500	<b>63.50</b>
36	2.469	<b>62.71</b>	1.975	<b>50.17</b>	2 1/4-16 UN	1.930	<b>49.02</b>	2-1/4-16UN	2.125	<b>53.98</b>	2.500	<b>63.50</b>
40	2.719	<b>69.06</b>	2.225	<b>56.52</b>	2 1/2-16 UN	2.145	<b>54.48</b>	2-1/2-16UN	2.125	<b>53.98</b>	2.500	<b>63.50</b>

\* Tolerance for this dimension is  $\pm .003(.08)$

**MS3459**  
**Self-Locking Plug**



Threaded Coupling, Crimp Removable, Rear Release



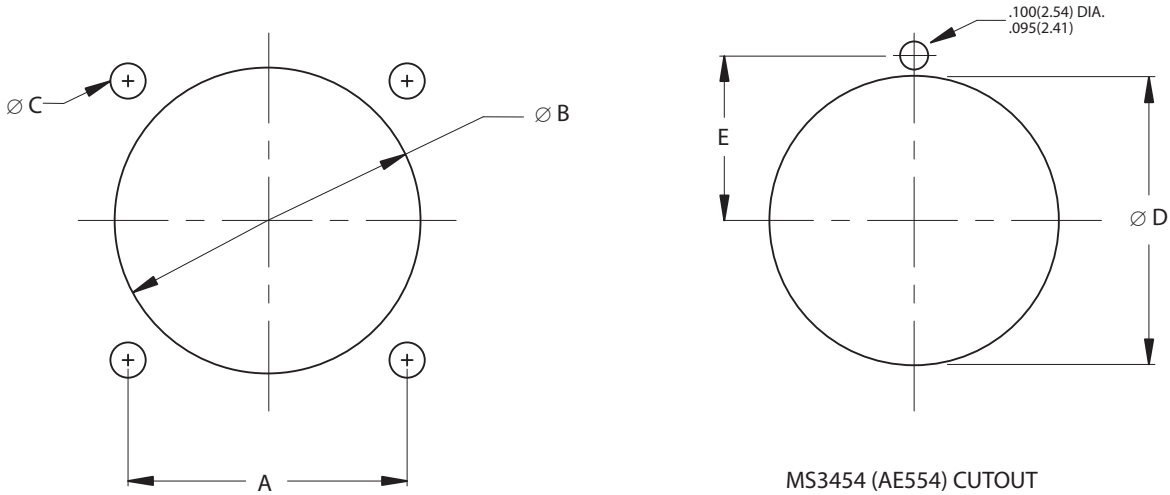
Shell Size	A		B		$\varnothing C$		$\varnothing D$		$\varnothing E$		L MAX	
	Mating Thread Class 2B	Accessory Thread Class 2A	Maximum		$\pm .005$	$\pm .13$	Maximum		16 & 12 Contacts		8, 4 & 0 Contacts	
			inch	mm	inch	mm	inch	mm	inch	mm	inch	mm
8S	1/2-28 UNEF	1/2-20UNF	.963	<b>24.46</b>	.360	<b>9.14</b>	.305	<b>7.75</b>	2.031	<b>51.59</b>	-	-
10S	5/8-24 UNEF	5/8-24UNEF	1.088	<b>27.64</b>	.435	<b>11.05</b>	.405	<b>10.29</b>	2.031	<b>51.59</b>	-	-
10SL	5/8-24 UNEF	5/8-24UNEF	1.088	<b>27.64</b>	.443*	<b>11.25*</b>	.405	<b>10.29</b>	2.031	<b>51.59</b>	-	-
12	3/4-20 UNEF	3/4-20UNEF	1.213	<b>30.81</b>	.550	<b>13.97</b>	.549	<b>13.94</b>	2.125	<b>53.98</b>	-	-
12S	3/4-20 UNEF	3/4-20UNEF	1.213	<b>30.81</b>	.550	<b>13.97</b>	.549	<b>13.94</b>	2.031	<b>51.59</b>	-	-
14	7/8-20 UNEF	7/8-20UNEF	1.358	<b>34.49</b>	.670	<b>17.02</b>	.665	<b>16.89</b>	2.125	<b>53.98</b>	-	-
14S	7/8-20 UNEF	7/8-20UNEF	1.358	<b>34.49</b>	.670	<b>17.02</b>	.665	<b>16.89</b>	2.031	<b>51.59</b>	-	-
16	1-20 UNEF	1-20UNEF	1.463	<b>37.16</b>	.800	<b>20.32</b>	.790	<b>20.07</b>	2.125	<b>53.98</b>	2.500	<b>63.50</b>
16S	1-20 UNEF	1-20UNEF	1.463	<b>37.16</b>	.800	<b>20.32</b>	.790	<b>20.07</b>	2.031	<b>51.59</b>	-	-
18	1 1/8-18 UNEF	1-1/16-18UNEF	1.588	<b>40.34</b>	.925	<b>23.50</b>	.869	<b>22.07</b>	2.125	<b>53.98</b>	2.500	<b>63.50</b>
20	1 1/4-18 UNEF	1-3/16-18UNEF	1.713	<b>43.51</b>	1.045	<b>26.54</b>	.994	<b>25.25</b>	2.125	<b>53.98</b>	2.500	<b>63.50</b>
22	1 3/8-18 UNEF	1-5/16-18UNEF	1.788	<b>45.42</b>	1.170	<b>29.72</b>	1.119	<b>28.42</b>	2.125	<b>53.98</b>	2.500	<b>63.50</b>
24	1 1/2-18 UNEF	1-7/16-18UNEF	1.963	<b>49.86</b>	1.295	<b>32.89</b>	1.244	<b>31.60</b>	2.125	<b>53.98</b>	2.500	<b>63.50</b>
28	1 3/4-18 UNS	1-3/4-18UNS	2.213	<b>56.21</b>	1.515	<b>38.48</b>	1.465	<b>37.21</b>	2.125	<b>53.98</b>	2.500	<b>63.50</b>
32	2-18 UNS	2-18UNS	2.463	<b>62.56</b>	1.765	<b>44.83</b>	1.715	<b>43.56</b>	2.125	<b>53.98</b>	2.500	<b>63.50</b>
36	2 1/4-16 UN	2-1/4-16UN	2.713	<b>68.91</b>	1.975	<b>50.17</b>	1.930	<b>49.02</b>	2.125	<b>53.98</b>	2.500	<b>63.50</b>
40	2 1/2-16 UN	2-1/2-16UN	2.963	<b>75.26</b>	2.225	<b>56.52</b>	2.145	<b>54.48</b>	2.125	<b>53.98</b>	2.500	<b>63.50</b>

\* Tolerance for this dimension is  $\pm .003$  (.08)

**MIL-DTL-5015 Series III, Rear Release**  
**Flange and Jam Nut Receptacles**  
**Panel Cutouts**



Panel Cutouts



Flange and Jam Nut Mounting Dimensions

Shell Size	A		Ø B		Ø C				Ø D		E	
	(TP)		±.010	±.25	Classes L, LS, W		Classes KS, KT		+.015	+.38	±.005	±.13
	inch	mm	inch	mm	+.010	+.25	+.010	+.25	-.000	-.00		
8S	.594	15.09	.562	14.27	.120	3.05	.150	3.81	.505	12.83	.323	8.20
10S, 10SL	.719	18.26	.688	17.48	.120	3.05	.150	3.81	.630	16.00	.385	9.78
12, 12S	.812	20.62	.812	20.62	.120	3.05	.150	3.81	.755	19.18	.448	11.38
14, 14S	.906	23.01	.938	23.83	.120	3.05	.150	3.81	.880	22.35	.510	12.95
16, 16S	.969	24.61	1.062	26.97	.120	3.05	.150	3.81	1.005	25.53	.573	14.55
18	1.062	26.97	1.188	30.18	.120	3.05	.177	4.50	1.130	28.70	.635	16.13
20	1.156	29.36	1.312	33.32	.120	3.05	.177	4.50	1.255	31.88	.698	17.73
22	1.250	31.75	1.438	36.53	.120	3.05	.177	4.50	1.380	35.05	.760	19.30
24	1.375	34.93	1.562	39.67	.147	3.73	.177	4.50	1.505	38.23	.823	20.90
28	1.562	39.67	1.812	46.02	.147	3.73	.177	4.50	1.755	44.58	.948	24.08
32	1.750	44.45	2.062	52.37	.173	4.39	.209	5.31	2.005	50.93	1.073	27.25
36	1.938	49.23	2.312	58.72	.173	4.39	.209	5.31	2.255	57.28	1.198	30.43
40	2.188	55.58	2.562	65.07	.173	4.39	.209	5.31	2.505	63.63	1.323	33.60

# Filtered Circular Connector Part Numbers

## FCP5/3102W/14S-7 SP – S2-102

### Connector Type:

C = Mil Circular

### Filter Type:

C = Chip Capacitor

D = Discoidal

T = Tubular Capacitor

P = Pi Filter

### Connector Family ( 1 digit)

5 = Mil 5015

### Connector Style

- 3100 - Wall Mount Recept

- 3102 – Box Mount Receptacle

- 3106 –Straight Plug

### Shell Finish:

W = General Purpose

L = High Temperature

:

:

### Shell/Insert Arrangement

Ex. 14S-7

18-10

22-14

### Capacitance (3 digit):

ex. 331 = 330 pF

471 = 470 pF

821 = 820 pF

102 = 1,000 pF

252 = 2,500 pF

402 = 4,000 pF

### Voltage Rating: (steady state)

0 = 50 VDC

1 = 100 VDC

2 = 200 VDC

### Filter Location:

S = Shell Extension (As required)

### Contact Termination:

P = PC Tail

S = Solder Cup

W = Wire Termination

### Contact Gender:

P = Male Pins

S = Female Sockets

Please Consult the Factory for your Specific Part Number