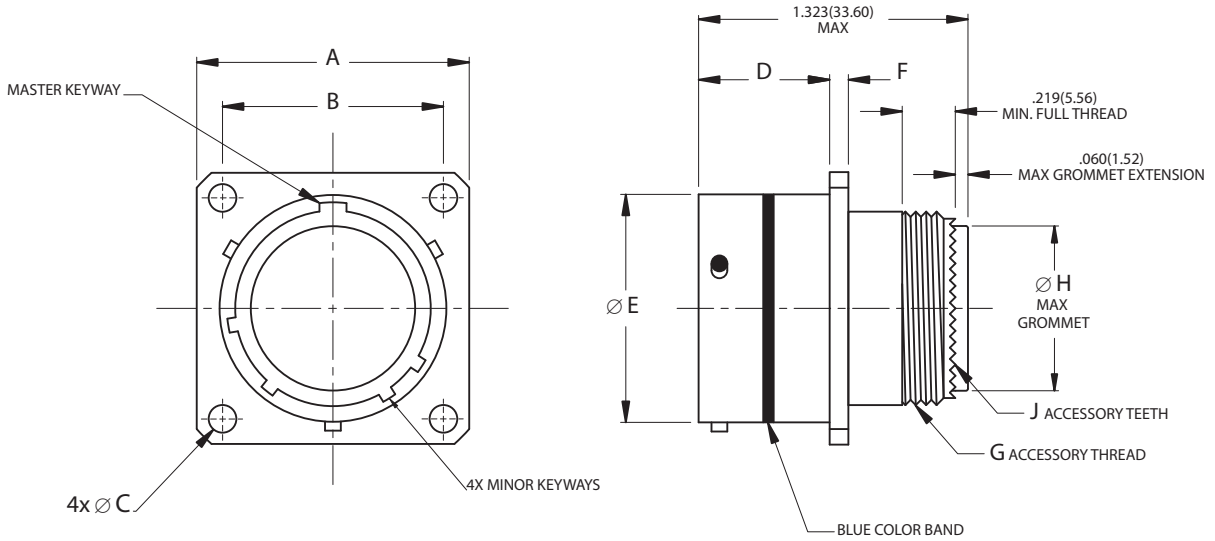


MS27466

Front Wall Mounting Receptacle



Bayonet Coupling, Crimp Removable, Rear Release, Scoop-Proof

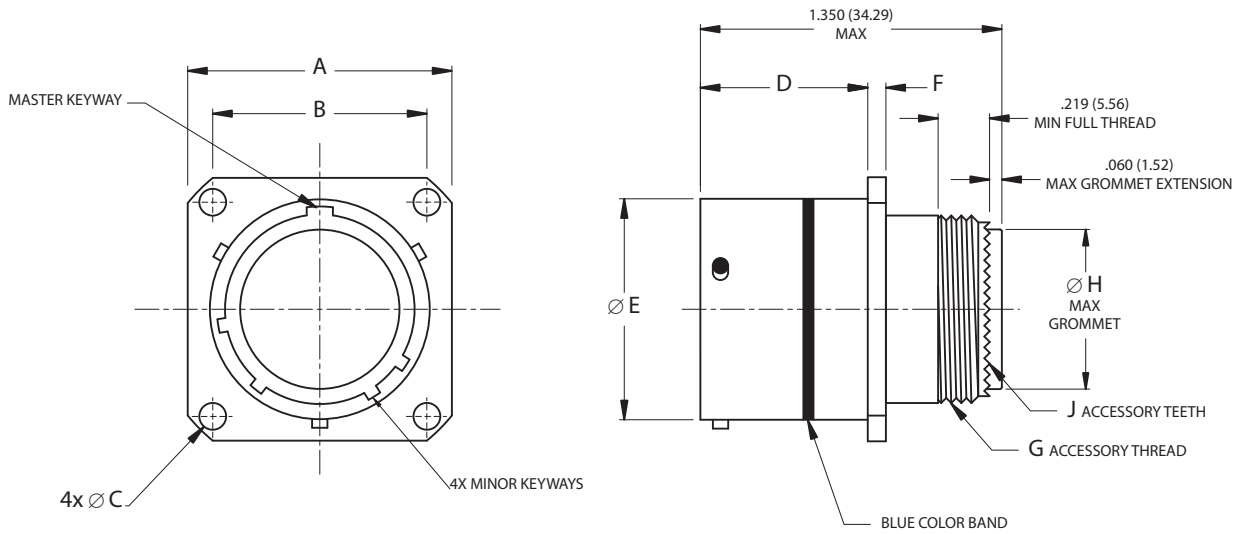


Shell Size	A		B		Ø C		D		Ø E		F		G	Ø H		J
	±.020	±.51	(TP)		+010	+25	+000	+00	+001	+03	+015	+38	Accessory Thread	Maximum		No. of Teeth
	inch	mm	inch	mm	inch	mm	inch	mm	inch	mm	inch	mm	UNEF-2A	inch	mm	
9	.938	23.83	.719	18.26	.128	3.25	.632	16.05	.572	14.53	.085	2.16	7/16-28	.299	7.59	12
11	1.031	26.19	.812	20.62	.128	3.25	.632	16.05	.700	17.78	.085	2.16	9/16-24	.427	10.85	16
13	1.125	28.58	.906	23.01	.128	3.25	.632	16.05	.850	21.59	.085	2.16	11/16-24	.541	13.74	20
15	1.219	30.96	.969	24.61	.128	3.25	.632	16.05	.975	24.77	.085	2.16	13/16-20	.666	16.92	24
17	1.312	33.32	1.062	26.97	.128	3.25	.632	16.05	1.100	27.94	.085	2.16	15/16-20	.791	20.09	28
19	1.438	36.53	1.156	29.36	.128	3.25	.632	16.05	1.207	30.66	.085	2.16	1-1/16-18	.897	22.78	32
21	1.562	39.67	1.250	31.75	.128	3.25	.602	15.29	1.332	33.83	.115	2.92	1-3/16-18	1.022	25.96	36
23	1.688	42.88	1.375	34.93	.147	3.73	.602	15.29	1.457	37.01	.115	2.92	1-5/16-18	1.147	29.13	40
25	1.812	46.02	1.500	38.10	.147	3.73	.602	15.29	1.582	40.18	.115	2.92	1-7/16-18	1.272	32.31	44

MS27656
Rear, Wall Mounting Receptacle



Bayonet Coupling, Crimp Removable, Rear Release, Scoop-Proof



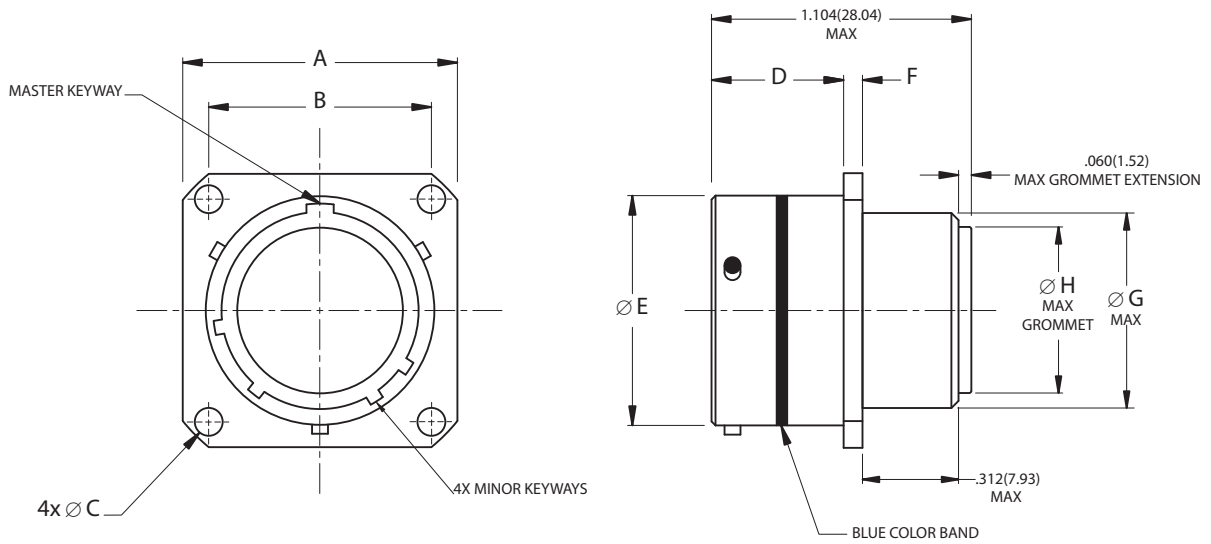
Shell Size	A		B		Ø C		D		Ø E		F		G	Ø H		J
	±.020	±.51	(TP)		+0.10	+.25	+0.00	+.00	+0.01	+.03	+0.15	+.38	Accessory Thread	Maximum		No. of Teeth
	inch	mm	inch	mm	inch	mm	inch	mm	inch	mm	inch	mm		inch	mm	
9	.938	23.83	.719	18.26	.128	3.25	.820	20.83	.572	14.53	.085	2.16	7/16-28	.299	7.59	12
11	1.031	26.19	.812	20.62	.128	3.25	.820	20.83	.700	17.78	.085	2.16	9/16-24	.427	10.85	16
13	1.125	28.58	.906	23.01	.128	3.25	.820	20.83	.850	21.59	.085	2.16	11/16-24	.541	13.74	20
15	1.219	30.96	.969	24.61	.128	3.25	.820	20.83	.975	24.77	.085	2.16	13/16-20	.666	16.92	24
17	1.312	33.32	1.062	26.97	.128	3.25	.820	20.83	1.100	27.94	.085	2.16	15/16-20	.791	20.09	28
19	1.438	36.53	1.156	29.36	.128	3.25	.820	20.83	1.207	30.66	.085	2.16	1-1/16-18	.897	22.78	32
21	1.562	39.67	1.250	31.75	.128	3.25	.790	20.07	1.332	33.83	.115	2.92	1-3/16-18	1.022	25.96	36
23	1.688	42.88	1.375	34.93	.147	3.73	.790	20.07	1.457	37.01	.115	2.92	1-5/16-18	1.147	29.13	40
25	1.812	46.02	1.500	38.10	.147	3.73	.790	20.07	1.582	40.18	.115	2.92	1-7/16-18	1.272	32.31	44

MS27496

Front Box Mounting Receptacle



Bayonet Coupling, Crimp Removable, Rear Release, Scoop-Proof



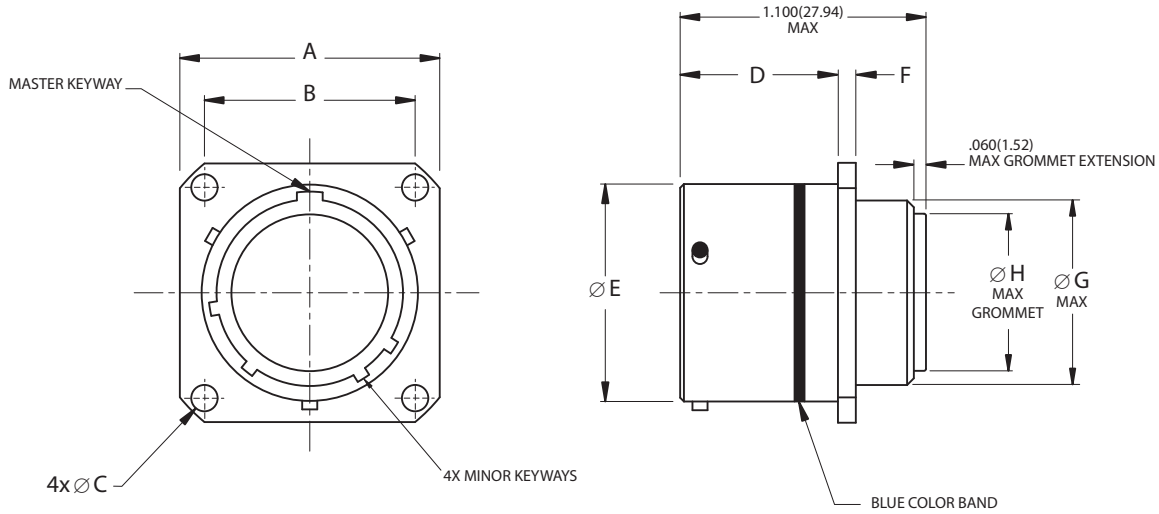
Shell Size	A		B		Ø C		D		Ø E		F		Ø G		Ø H	
	±.020	±.51	(TP)		+0.010	+0.25	+0.000	+0.00	+0.001	+0.03	+0.015	+0.38	Maximum		Maximum	
	inch	mm	inch	mm	inch	mm	inch	mm	inch	mm	inch	mm	inch	mm	inch	mm
9	.938	23.83	.719	18.26	.128	3.25	.632	16.05	.572	14.53	.085	2.16	.469	11.91	.299	7.59
11	1.031	26.19	.812	20.62	.128	3.25	.632	16.05	.700	17.78	.085	2.16	.594	15.09	.427	10.85
13	1.125	28.58	.906	23.01	.128	3.25	.632	16.05	.850	21.59	.085	2.16	.719	18.26	.541	13.74
15	1.219	30.96	.969	24.61	.128	3.25	.632	16.05	.975	24.77	.085	2.16	.844	21.44	.666	16.92
17	1.312	33.32	1.062	26.97	.128	3.25	.632	16.05	1.100	27.94	.085	2.16	.969	24.61	.791	20.09
19	1.438	36.53	1.156	29.36	.128	3.25	.632	16.05	1.207	30.66	.085	2.16	1.078	27.38	.897	22.78
21	1.562	39.67	1.250	31.75	.128	3.25	.602	15.29	1.332	33.83	.115	2.92	1.203	30.56	1.022	25.96
23	1.688	42.88	1.375	34.93	.147	3.73	.602	15.29	1.457	37.01	.115	2.92	1.328	33.73	1.147	29.13
25	1.812	46.02	1.500	38.10	.147	3.73	.602	15.29	1.582	40.18	.115	2.92	1.453	36.91	1.272	32.31

MIL-DTL-38999 S I

MS27505
Rear Box Mounting Receptacle

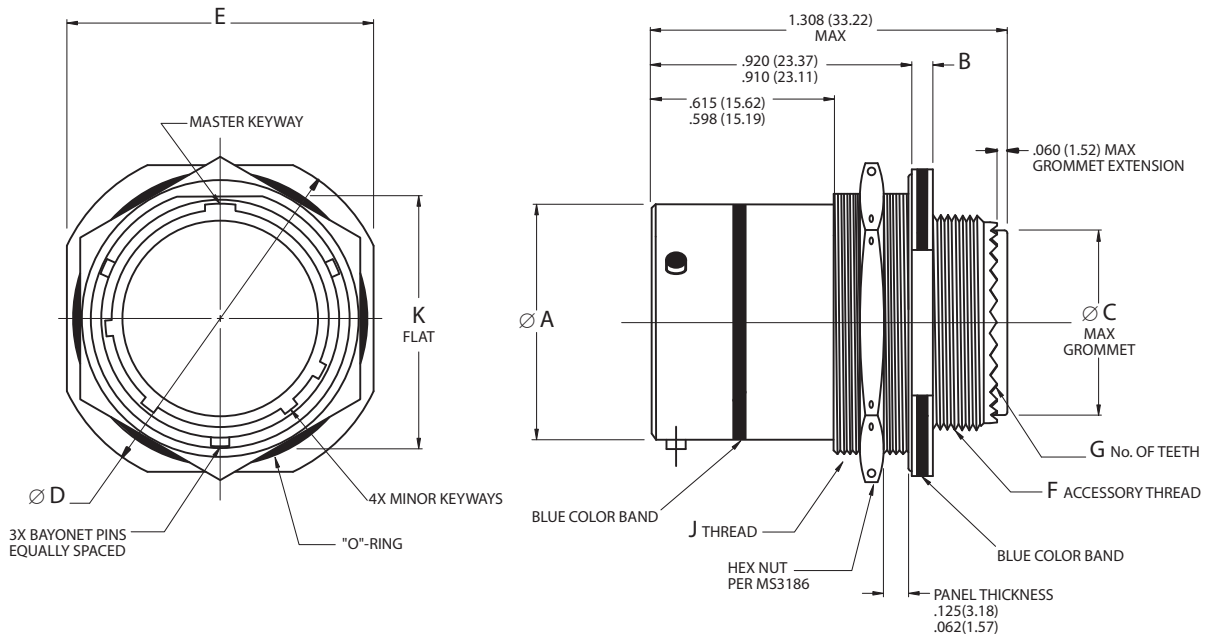


Bayonet Coupling, Crimp Removable, Rear Release, Scoop-Proof



Shell Size	A		B		Ø C		D		Ø E		F		Ø G		Ø H	
	±.020	±.51	(TP)		+0.10	+0.25	+0.00	+0.00	+0.001	+0.03	+0.015	+0.38	Maximum		Maximum	
	inch	mm	inch	mm	inch	mm	inch	mm	inch	mm	inch	mm	inch	mm	inch	mm
9	.938	23.83	.719	18.26	.128	3.25	.820	20.83	.572	14.53	.085	2.16	.547	13.89	.299	7.59
11	1.031	26.19	.812	20.62	.128	3.25	.820	20.83	.700	17.78	.085	2.16	.656	16.66	.427	10.85
13	1.125	28.58	.906	23.01	.128	3.25	.820	20.83	.850	21.59	.085	2.16	.828	21.03	.541	13.74
15	1.219	30.96	.969	24.61	.128	3.25	.820	20.83	.975	24.77	.085	2.16	.953	24.21	.666	16.92
17	1.312	33.32	1.062	26.97	.128	3.25	.820	20.83	1.100	27.94	.085	2.16	1.078	27.38	.791	20.09
19	1.438	36.53	1.156	29.36	.128	3.25	.820	20.83	1.207	30.66	.085	2.16	1.203	30.56	.897	22.78
21	1.562	39.67	1.250	31.75	.128	3.25	.790	20.07	1.332	33.83	.115	2.92	1.328	33.73	1.022	25.96
23	1.688	42.88	1.375	34.93	.147	3.73	.790	20.07	1.457	37.01	.115	2.92	1.453	36.91	1.147	29.13
25	1.812	46.02	1.500	38.10	.147	3.73	.790	20.07	1.582	40.18	.115	2.92	1.578	40.08	1.272	32.31

Bayonet Coupling, Crimp Removable, Rear Release, Scoop-Proof



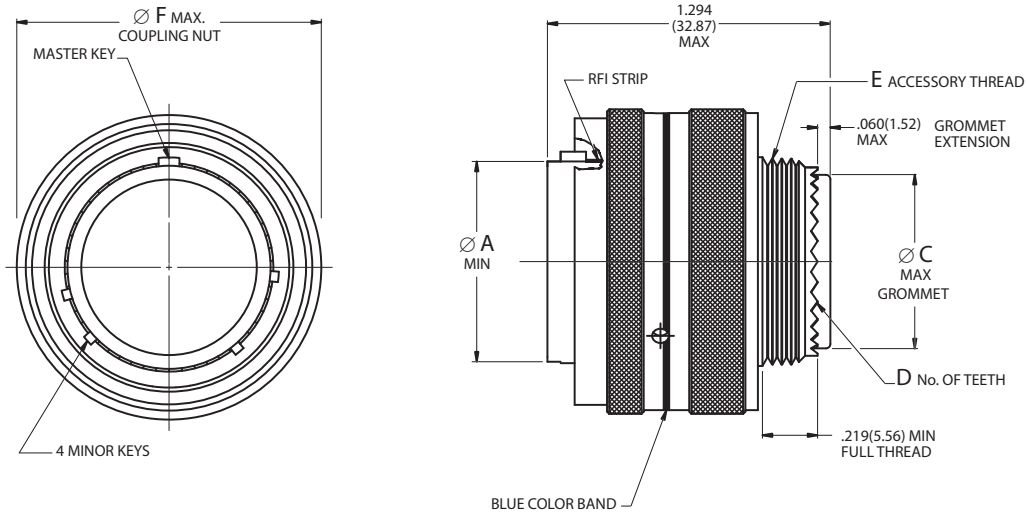
Page 4 Completed Part Number
 Page 13 Contacts, Sealing Plugs and Tools
 Pages 17-19 Insert Arrangements
 Page 3 Performance Specifications
 Pages 15, 16 Insert Availability and Contact Information
 Page 11 Polarization

Shell Size	Ø A		B		Ø C		Ø D		E		F	G	J		K	
	+0.001	+0.03	+0.011	+0.28	Maximum	±0.016	±0.41	±0.016	±0.41	Accessory Thread	No. of Teeth	Jam Nut Thread Class 2A	Flat			
	-0.005	-0.13	-0.010	-0.25									±0.005	±0.13		
	inch	mm	inch	mm	inch	mm	inch	mm	inch	mm	UNEF- 2A		inch	mm		
9	.572	14.53	.109	2.77	.299	7.59	1.188	30.18	1.062	26.97	7/16-28	12	11/16-24UNEF	.650	16.51	
11	.700	17.78	.109	2.77	.427	10.85	1.375	34.93	1.250	31.75	9/16-24	16	13/16-20UNEF	.750	19.05	
13	.850	21.59	.109	2.77	.541	13.74	1.500	38.10	1.375	34.93	11/16-24	20	1-20UNEF	.937	23.80	
15	.975	24.77	.109	2.77	.666	16.92	1.625	41.28	1.500	38.10	13/16-20	24	1-1/8-18UNEF	1.061	26.95	
17	1.100	27.94	.109	2.77	.791	20.09	1.750	44.45	1.625	41.28	15/16-20	28	1-1/4-18UNEF	1.186	30.12	
19	1.207	30.66	.140	3.56	.897	22.78	1.938	49.23	1.812	46.02	1-1/16-18	32	1-3/8-18UNEF	1.311	33.30	
21	1.332	33.83	.140	3.56	1.022	25.96	2.062	52.37	1.938	49.23	1-3/16-18	36	1-1/2-18UNEF	1.436	36.47	
23	1.457	37.01	.140	3.56	1.147	29.13	2.188	55.58	2.062	52.37	1-5/16-18	40	1-5/8-18UNEF	1.561	39.65	
25	1.582	40.18	.140	3.56	1.272	32.31	2.312	58.72	2.188	55.58	1-7/16-18	44	1-3/4-18UNS	1.686	42.82	

MS27467
RFI Grounding Plug



Bayonet Coupling, Crimp Removable, Rear Release, Scoop-Proof

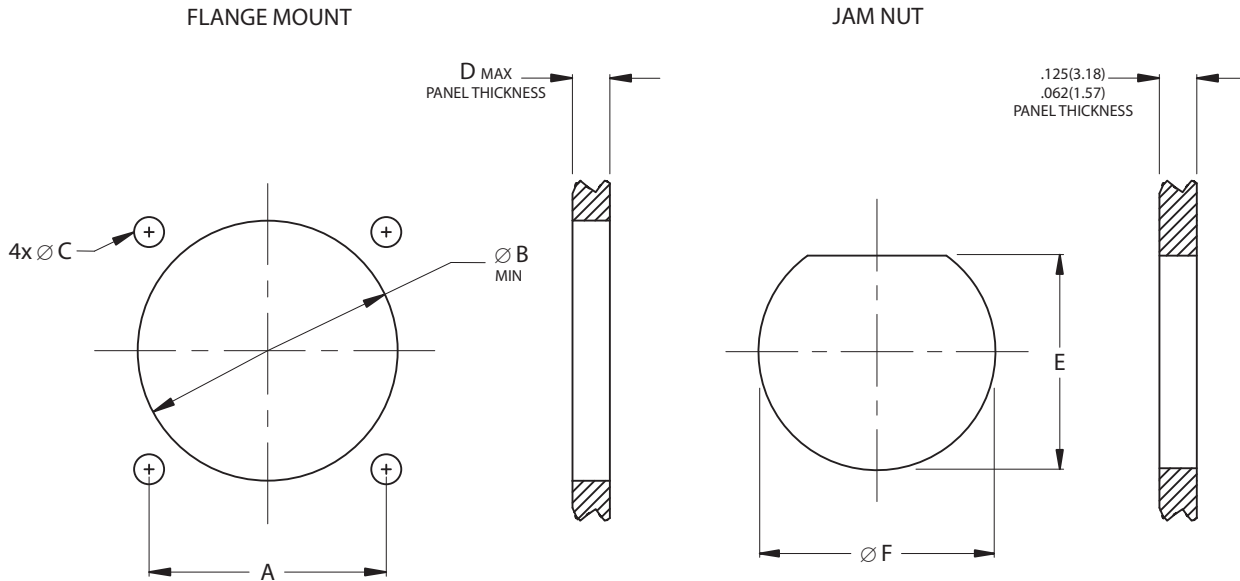


Shell Size	Ø A		Ø C		D	E	Ø F	
	Minimum		Maximum		No. of Teeth	Accessory Thread Class 2A	Maximum	
	inch	mm	inch	mm			inch	mm
9	.417	10.59	.299	7.59	12	7/16-28UNEF	.859	21.82
11	.545	13.84	.427	10.85	16	9/16-24UNEF	.984	24.99
13	.657	16.69	.541	13.74	20	11/16-24UNEF	1.156	29.36
15	.782	19.86	.666	16.92	24	13/16-20UNEF	1.281	32.54
17	.907	23.04	.791	20.09	28	15/16-20UNEF	1.406	35.71
19	1.012	25.70	.897	22.78	32	1-1/16-18UNEF	1.516	38.51
21	1.137	28.88	1.022	25.96	36	1-3/16-18UNEF	1.641	41.68
23	1.262	32.05	1.147	29.13	40	1-5/16-18UNEF	1.766	44.86
25	1.387	35.23	1.272	32.31	44	1-7/16-18UNEF	1.891	48.03

MIL-DTL-38999 Series I
Flange and Jam Nut Receptacles
Panel Cutouts



Panel Cutouts



Flange and Jam Nut Mounting Dimensions

Shell Size	A		Ø B		Ø C		D		E		Ø F	
	(TP)		Minimum		±.005	±.13	Maximum		+0.00	+0.00	+0.010	+0.25
	inch	mm	inch	mm	inch	mm	inch	mm	inch	mm	inch	mm
9	.719	18.26	.656	16.66	.128	3.25	.234	5.94	.670	17.02	.700	17.78
11	.812	20.62	.796	20.22	.128	3.25	.234	5.94	.771	19.59	.825	20.96
13	.906	23.01	.922	23.42	.128	3.25	.234	5.94	.955	24.26	1.010	25.65
15	.969	24.61	1.047	26.59	.128	3.25	.234	5.94	1.085	27.56	1.135	28.83
17	1.062	26.97	1.219	30.96	.128	3.25	.234	5.94	1.210	30.73	1.260	32.01
19	1.156	29.36	1.297	32.94	.128	3.25	.234	5.94	1.335	33.91	1.385	35.18
21	1.250	31.75	1.422	36.12	.128	3.25	.204	5.18	1.460	37.08	1.510	38.35
23	1.375	34.93	1.547	39.29	.154	3.91	.204	5.18	1.585	40.26	1.635	41.53
25	1.500	38.10	1.672	42.47	.154	3.91	.193	4.90	1.710	43.43	1.760	44.70

Filtered Circular Connector Part Numbers

FCP1/24W/15-35 SP – S2-102

Connector Type:

C = Mil Circular

Filter Type:

C = Chip Capacitor

D = Discoidal

T = Tubular Capacitor

P = Pi Filter

Connector Family (1 digit)

1 = D38999

Connector Style

- 27466 - Series I Wall Mount Recpt

-27467 – Series I Grounded Plug

20 – Series III Wall Mount Recpt

24 - Series III Jam Nut Recpt. Recpt

Shell Finish:

W = Olive Drab CAD

F = Electroless Nickel

M = Nickel plated Composite

:

:

Shell/Insert Arrangement

Ex. 15-35

17-26

23-21

Capacitance (3 digit):

ex. 331 = 330 pF

471 = 470 pF

821 = 820 pF

102 = 1,000 pF

252 = 2,500 pF

402 = 4,000 pF

Voltage Rating: (steady state)

0 = 50 VDC

1 = 100 VDC

2 = 200 VDC

Filter Location:

S = Shell Extension (As required)

Contact Termination:

P = PC Tail

S = Solder Cup

W = Wire Termination

Contact Gender:

P = Male Pins

S = Female Sockets

Please Consult the Factory for your Specific Part Number