

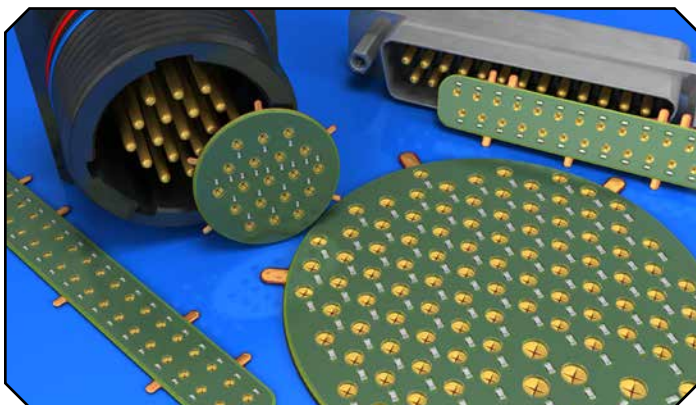


EMI

SOLUTIONS INC

Why Use Filters of Filtered Connectors?

- ▶ Simple cost effective solution to help meet EMI/RFI compatibility requirements
- ▶ Best location for filtering is at the interface, which means inside the connector
- ▶ Easy add on or replacement to help meet your EMI performance Needs
- ▶ Helps reduce volume inside the unit as well as circuit board space
- ▶ Meets military standard and aerospace environmental requirements (MIL-STD-810, MIL-STD-461 and DO-160)
- ▶ Improves overall reliability due to fewer solder joints and few interconnections
- ▶ Parts are shipped 100% tested from the factory to insure proper performance and quality



“Flex” Filter Inserts

- ▶ “Drop-in” filter solution for military circular and D-Subminiature connectors
- ▶ Chip capacitor filtering with a wide array of capacitances and voltage ratings available
- ▶ Simple installation in your *existing* connector
- ▶ Cost effective, providing simple and immediate solutions



Filtered Military Circular Connectors

- ▶ D38999, M26482, M5015, M83723
- ▶ Available with chip capacitor up through Pi filtering
- ▶ Available with solder cup, PC tail and wired terminations
- ▶ Maximize your EMI filtering by customizing the filter on a pin by pin basis



Filtered D-Subminiature and Micro-D Connectors

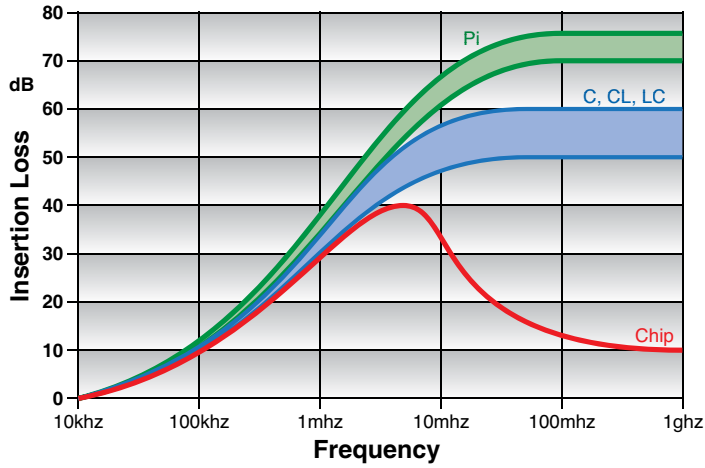
- ▶ Available with chip capacitor up through Pi filtering
- ▶ Many termination and hardware options available
- ▶ Custom configurations available



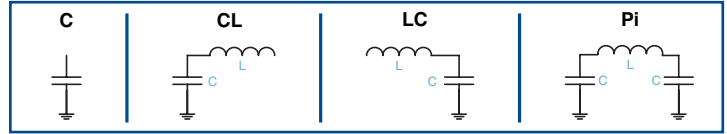
Custom Filtering Solutions

- ▶ Custom EMI filtering and transient suppression modules
- ▶ Wide variety of filtering and transient protection available
- ▶ Special configurations with RJ-45 or USB terminations
- ▶ Consult factory for details

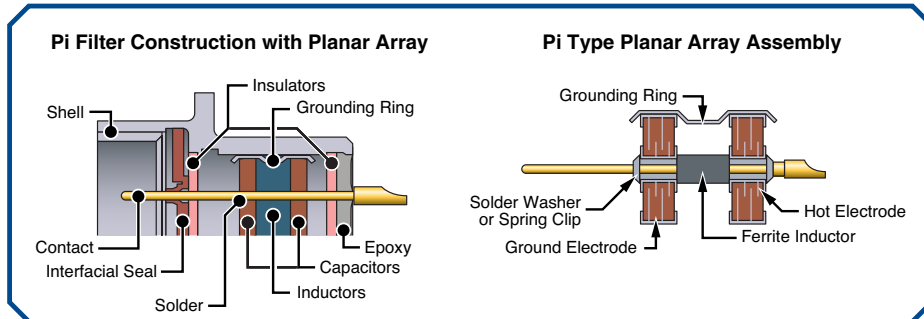
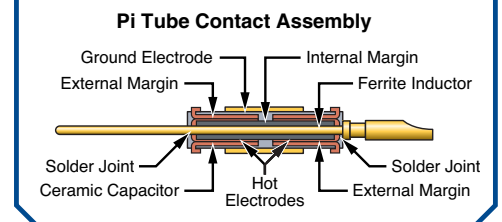
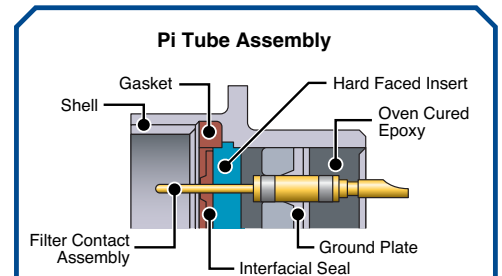
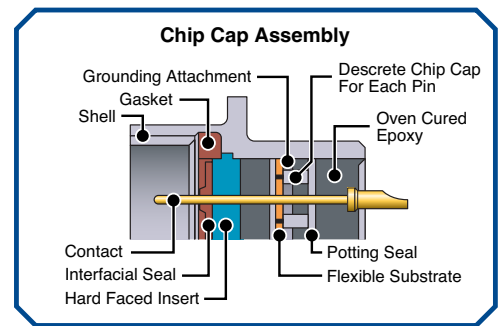
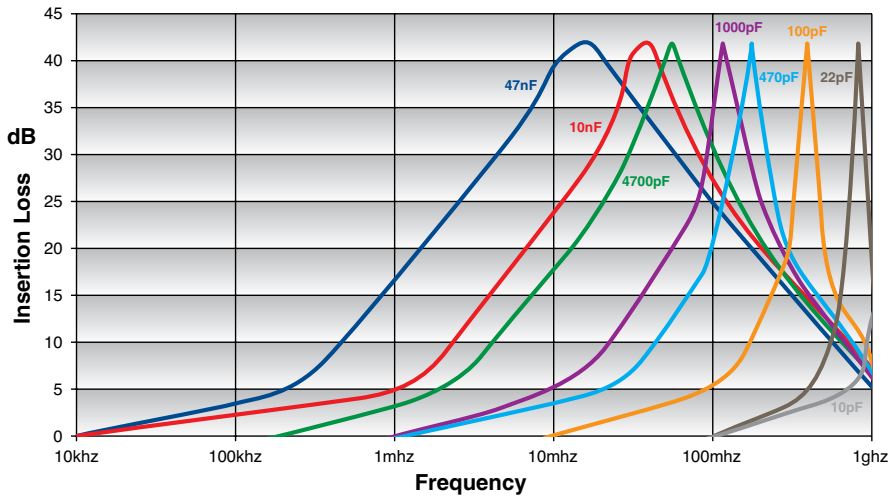
Types of Filtered Connectors and Their Performance



	Capacitance Options	Filter Performance
Chip Capacitor	3 pF – 47,000 pF+	>40 dB
Discoidal Capacitor (C)	470 pF – 40,000 pF+	50 – 60 dB
Planar Array (CL & LC)	100 pF – 1 uF+	50 – 60 dB
Pi with Planar Arrays	100 pF – 1 uF+	70+ dB
Pi Tubes	47 pF – 12,000 pF	70+ dB



Chip Capacitor Filter Performance



Chip Capacitor Filtering

- ▶ 40+ dB Insertion Loss
- ▶ Quick Turn
- ▶ Lowest Cost Option
- ▶ Limited High Frequency Performance

C, C-L or L-C Filtering

- ▶ Built with Chip Caps, Discoidals, Planars or C Tubes
- ▶ 45 - 60 dB Insertion Loss
- ▶ Good Broad Spectrum Filter Performance

Pi Filtering

- ▶ Built with Pi Tubes, Discoidal or Planar Arrays
- ▶ Provides C-L-C Component Configuration
- ▶ Highest Performance: 70+ dB Insertion Loss
- ▶ Very Good High Frequency Performance

Termination Options:

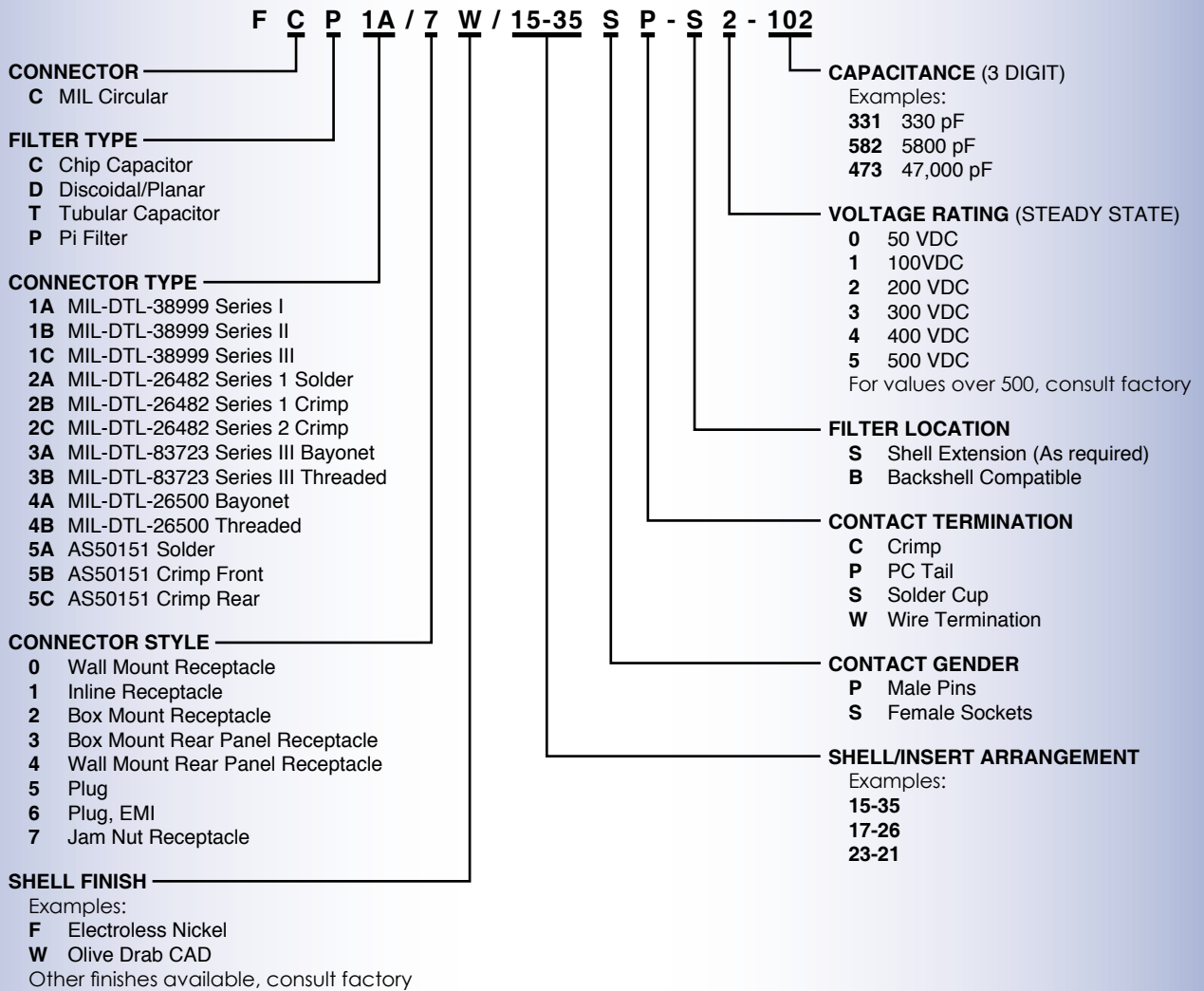
- ▶ Solder Cup
- ▶ PC Tail
- ▶ Wired terminations

Other Options:

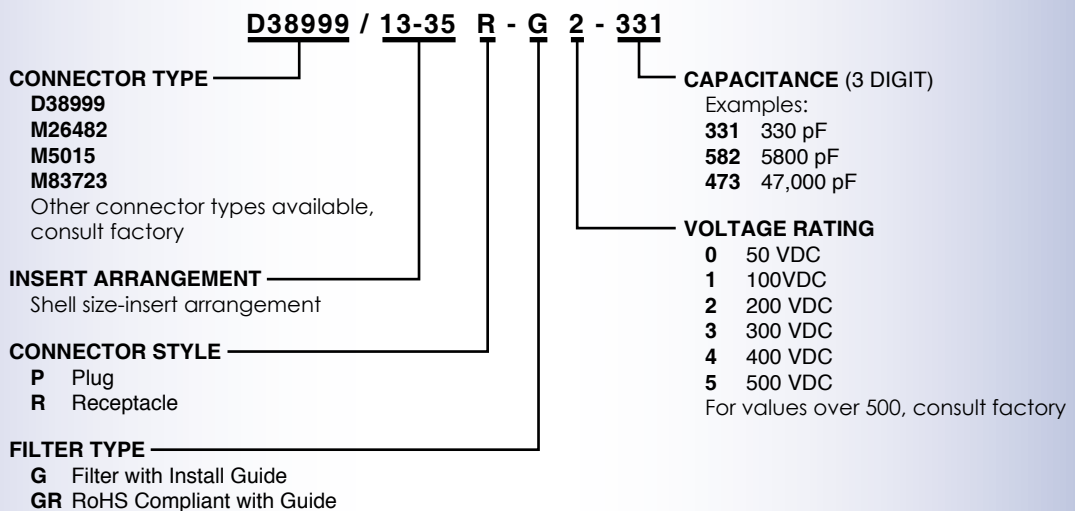
- ▶ Custom versions available including the ability to define the Filtering on a Pin by Pin basis to help eliminate as much noise as possible from your system
- ▶ Combination of filtering and transient suppression components available
- ▶ Custom applications and Filter Modules available to meet your special requirements

Filtered Circular Part Numbers

Filtered Connectors



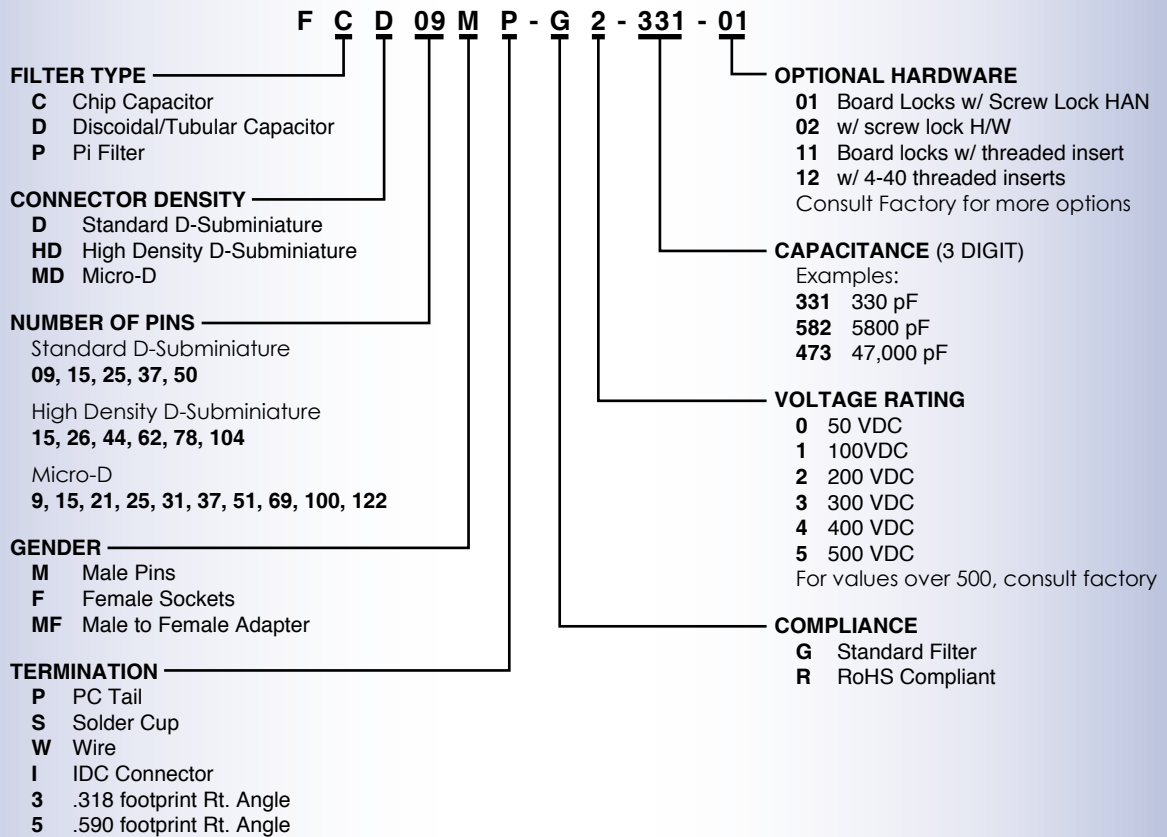
Filter Inserts



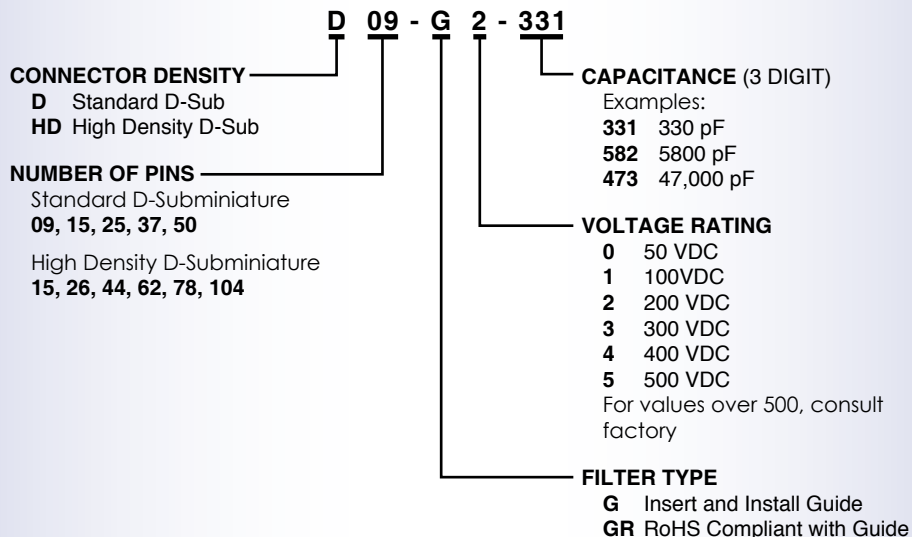
Please Consult the Factory for your Specific Part Number

Filtered D-Sub and Micro-D Part Numbers

Filtered Connectors



Filter Inserts



Please Consult the Factory for your Specific Part Number

EMI

SOLUTIONS INC

EMI SOLUTIONS provides electro-magnetic interference (EMI) filtering solutions that help eliminate high frequency noise and high voltage transients. Our products include EMI filter inserts (Flex Filters), EMI Filtered Connectors and custom Filter Modules. Our engineering design team specializes in creating designs to effectively help you meet Commercial, Medical, Military or Aerospace EMI Requirements such as Mil-Std-461 or DO-160. Combined with our 24-hour availability and rapid turn-around times, EMI SOLUTIONS is your best source for filtering solutions.

Headquartered in Irvine, California, EMI SOLUTIONS was established in 1996 with a focus on specific niche products in the EMI Filtering business. Over the years, the company has grown and diversified into many related product lines. Through our experience and expertise in the EMI/ EMC marketplace, we have become one of the leading manufacturers of Filtered Connectors for the Military, Aerospace, Medical and High Reliability Commercial applications.

Contact EMI SOLUTIONS today and let our Engineering design team help you with your EMI issues.



EMI
SOLUTIONS INC **949-206-9960**
sales@4EMI.com

www.4EMI.com

13805 Alton Parkway, Suite B, Irvine, CA 92618

